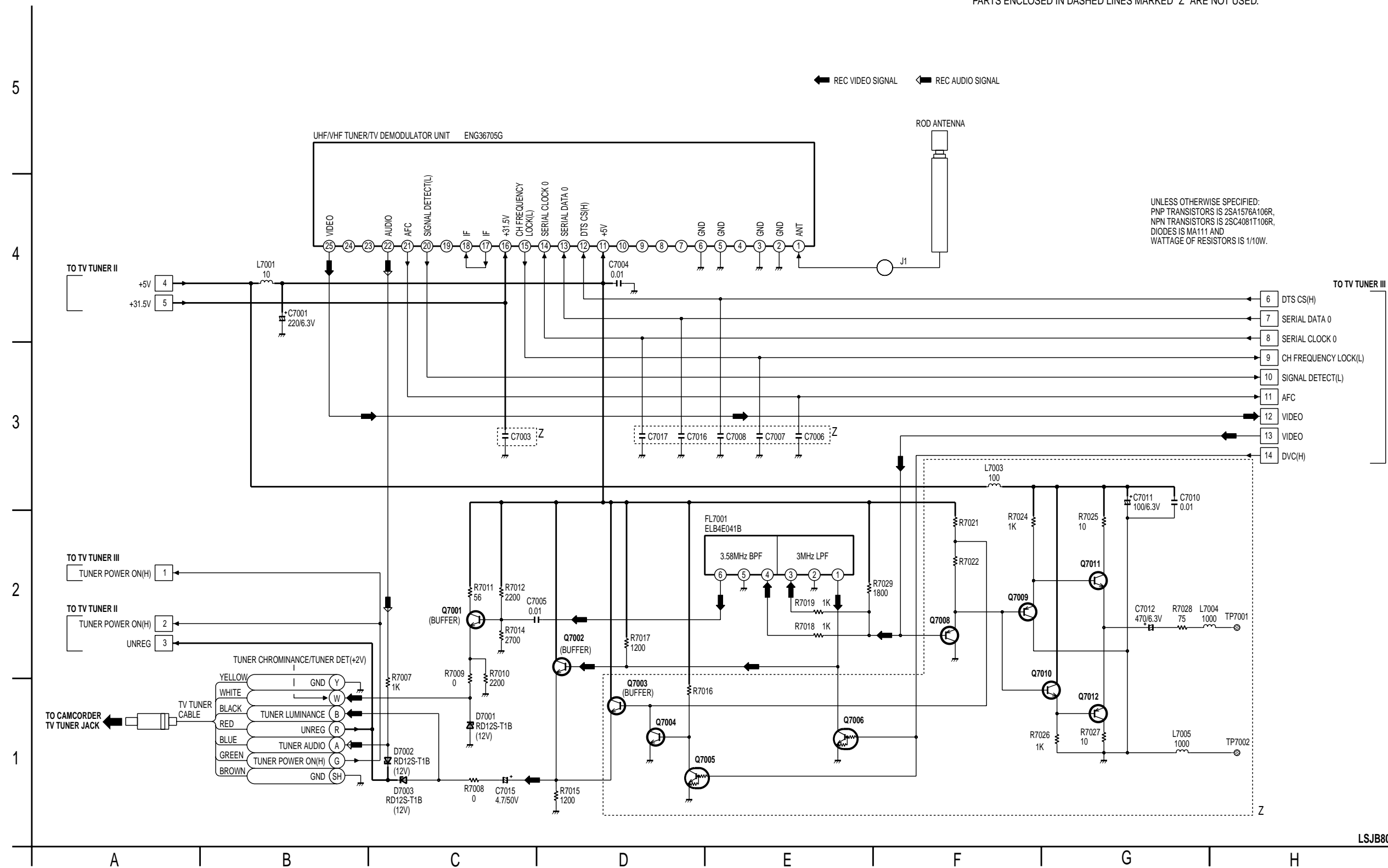


13.2. SCHEMATIC DIAGRAMS AND CIRCUIT BOARD LAYOUT

13.2.1. TV TUNER I SCHEMATIC DIAGRAM

NOTE:
FOR SCHEMATIC DIAGRAM AND CIRCUIT BOARD LAYOUT NOTES,
REFER TO BEGINNING OF SCHEMATIC SECTION.

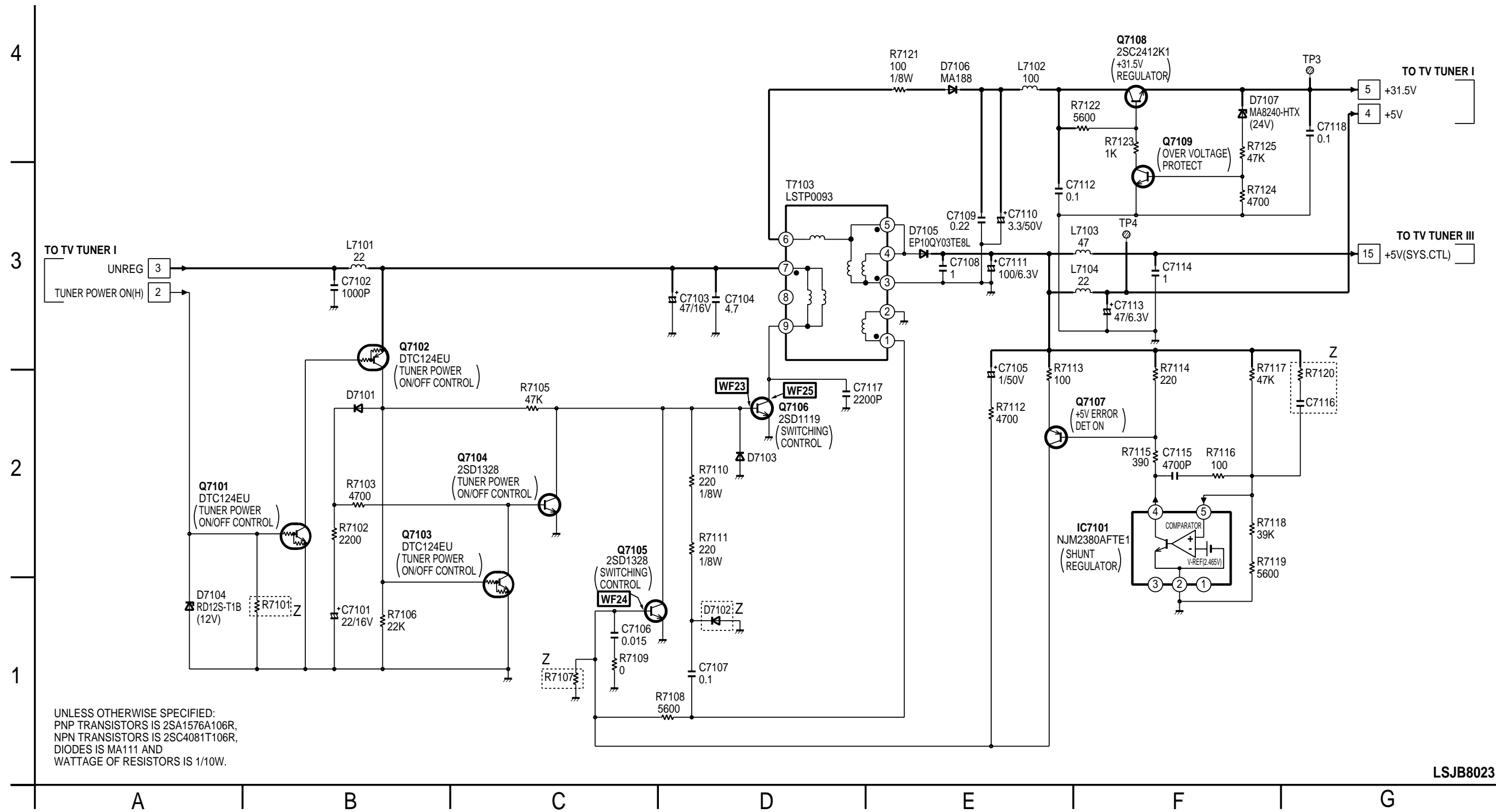
NOTE:
PARTS ENCLOSED IN DASHED LINES MARKED "Z" ARE NOT USED.



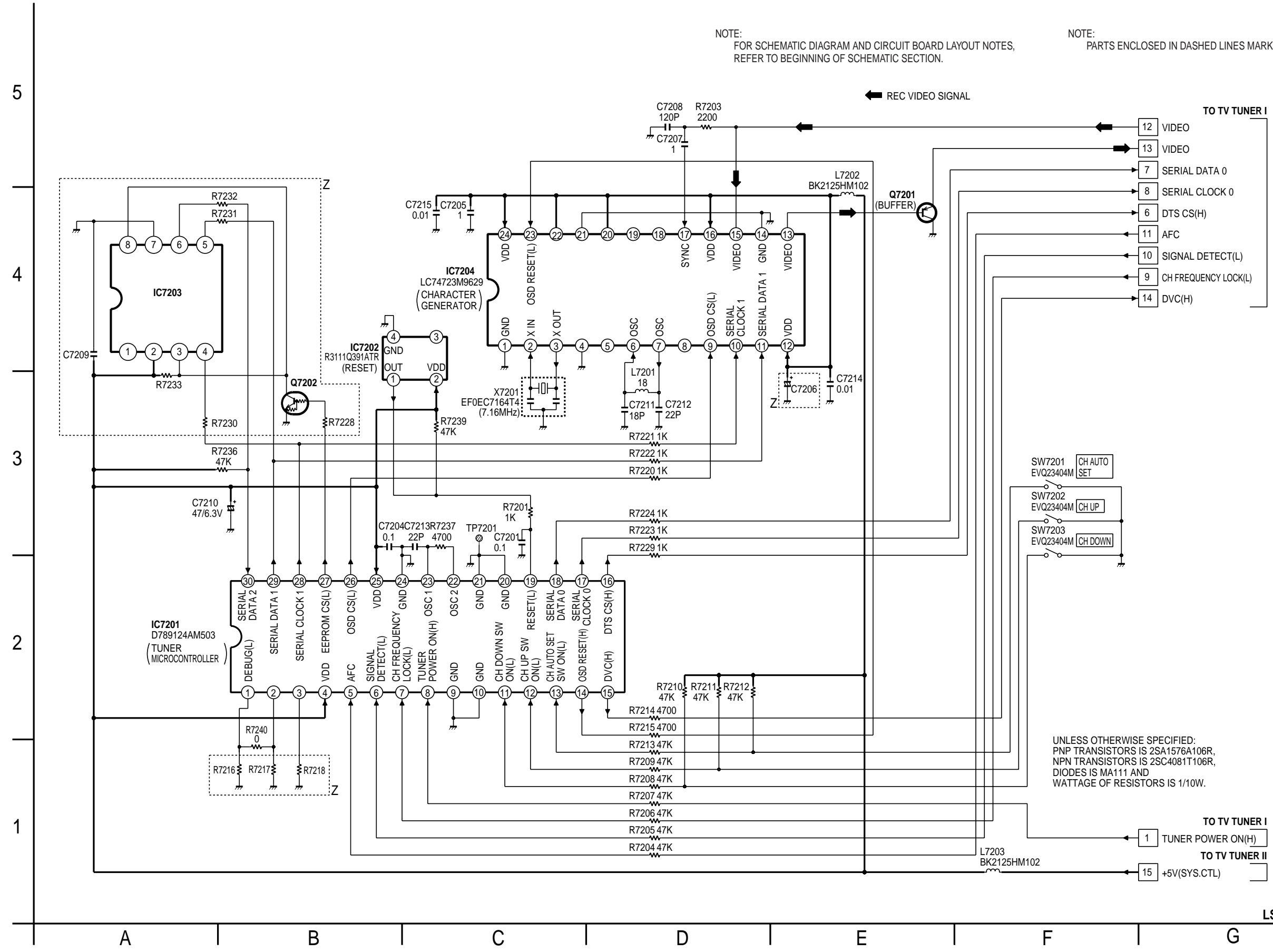
13.2.2. TV TUNER II SCHEMATIC DIAGRAM

NOTE:
FOR SCHEMATIC DIAGRAM AND CIRCUIT BOARD LAYOUT NOTES,
REFER TO BEGINNING OF SCHEMATIC SECTION.

NOTE:
PARTS ENCLOSED IN DASHED LINES MARKED "Z" ARE NOT USED.



13.2.3. TV TUNER III SCHEMATIC DIAGRAM



NOTE:
FOR SCHEMATIC DIAGRAM AND CIRCUIT BOARD LAYOUT NOTES,
REFER TO BEGINNING OF SCHEMATIC SECTION.

NOTE:
PARTS ENCLOSED IN DASHED LINES MARKED "Z" ARE NOT USED.

5
4
3
2
1

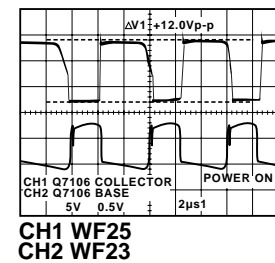
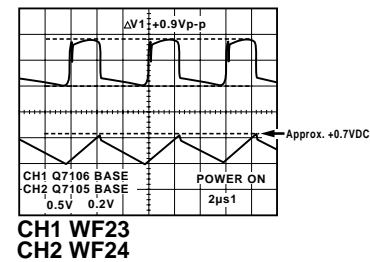
A B C D E F G

UNLESS OTHERWISE SPECIFIED:
PNP TRANSISTORS IS 2SA1576A106R,
NPN TRANSISTORS IS 2SC4081T106R,
DIODES IS MA111 AND
WATTAGE OF RESISTORS IS 1/10W.

LSJB8023

13.2.4. SIGNAL WAVEFORM/VOLTAGE CHART/CIRCUIT BOARD LAYOUT

SIGNAL WAVEFORM



VOLTAGE CHART

MODE PIN NO.	CAMERA
IC7101	
1	0
2	0
3	2.2
4	3.5
5	2.5
IC7201	
1	3.9
2	0.3
3	3.9
4	-0.2
5	0.2
6	3.9
7	1.2
8	0
9	0
10	0
11	5.2
12	5.1
13	5.0
14	4.5
15	0
16	0.6
17	4.5
18	0.5
19	4.1
20	0
21	0.5
22	2.9
23	2.8
24	0
25	5.2
26	4.9
27	0
28	5.0
29	0.1
30	4.1
IC7202	
1	4.5
2	5.2
3	0.5
4	0
IC7204	
1	0
2	2.5
3	2.5
4	0
5	4.7
6	2.5
7	2.5
8	4.7
9	4.9
10	5.1
11	0.3
12	5.2

MODE PIN NO.	CAMERA
13	9.6
14	0.1
15	1.2
16	5.2
17	5.4
18	2.2
19	4.9
20	5.2
21	0
22	5.2
23	4.6
24	5.2
Q7001	
E	2.2
C	5.0
B	2.8
Q7002	
E	3.3
C	5.0
B	4.0
Q7101	
E	0
C	0
B	4.3
Q7102	
E	6.9
C	6.9
B	0
Q7103	
E	0
C	0
B	6.9
Q7104	
E	0
C	0.3
B	0
Q7105	
E	0
C	0.3
B	0.6
Q7106	
E	0
C	6.9
B	0.3
Q7107	
E	5.2
C	0.6
B	4.6
Q7108	
E	31.6
C	33.0
B	32.0

MODE PIN NO.	CAMERA
Q7109	
E	0
C	31.6
B	0.4
Q7201	
E	3.1
C	0
B	2.5
TP3	31.6
TP4	5.2
TP7001	0.4
TP7002	0.5
TP7201	0

CIRCUIT BOARD LAYOUT TV TUNER C.B.A. LSEQ0566

NOTE:
FOR SCHEMATIC DIAGRAM AND CIRCUIT BOARD LAYOUT NOTES,
REFER TO BEGINNING OF SCHEMATIC SECTION.

NOTE:
CIRCUIT BOARD LAYOUT INCLUDES COMPONENTS WHICH ARE NOT USED.
PLEASE REFER TO THE SCHEMATIC DIAGRAM AND PARTS LIST FOR PROPER PARTS CONTENT.

